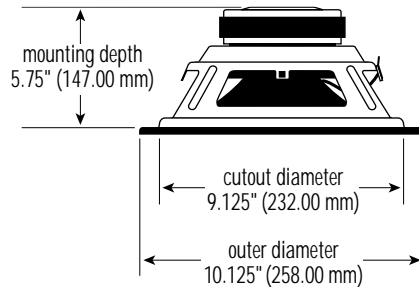


SPECIFICATIONS

DIAMETER:	10" (250.0 mm)
SENSITIVITY (2.83 V @ 1 M):	90 dB
POWER HANDLING:	250 W _{RMS} (1,000 W _{PEAK})
FREQUENCY RESPONSE:	28 ~ 500 Hz
NOMINAL IMPEDANCE:	4 OHMS
VOICE-COIL DIAMETER:	2.0" (50.8 mm)

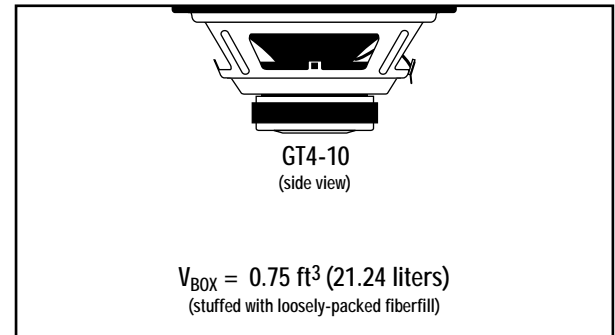
DIMENSIONS:



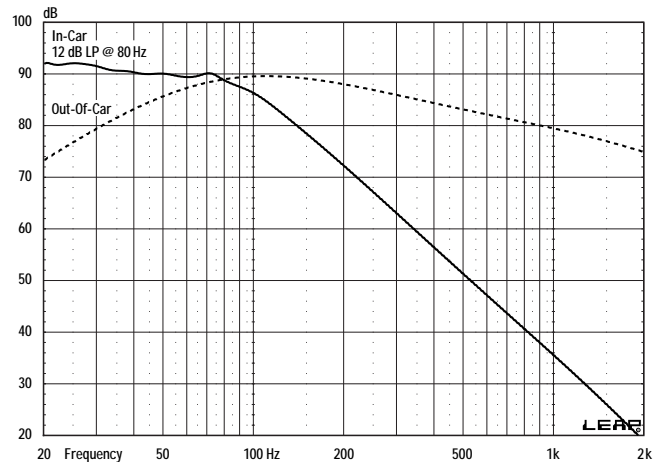
THIELE-SMALL PARAMETERS

VOICE COIL DC RESISTANCE:	R_{EVC} (OHMS)	3.63
VOICE COIL INDUCTANCE @ 1 kHz:	L_{EVC} (MH)	2.68
DRIVER RADIATING AREA:	S_D (IN ²)	53.63
	S_D (CM ²)	346.00
MOTOR FORCE FACTOR:	BL (TM)	14.30
COMPLIANCE VOLUME:	V_{AS} (FT ³)	1.27
	V_{AS} (LITERS)	36.10
SUSPENSION COMPLIANCE:	C_{MS} (µM/N)	212.35
MOVING MASS, AIR LOAD:	M_{MS} (GRAMS)	136.18
MOVING MASS, DIAPHRAGM:	M_{MD} (GRAMS)	132.48
FREE-AIR RESONANCE:	F_S (HZ)	29.60
MECHANICAL Q:	Q_{MS}	6.45
ELECTRICAL Q:	Q_{ES}	0.45
TOTAL Q:	Q_{TS}	0.42
MAGNETIC-GAP HEIGHT:	H_{AG} (IN)	1.30
	H_{AG} (MM)	33.00
VOICE-COIL HEIGHT:	H_{VC} (IN)	0.31
	H_{VC} (MM)	8.00
MAXIMUM EXCURSION:	X_{MAX} (IN)	0.49
	X_{MAX} (MM)	12.50

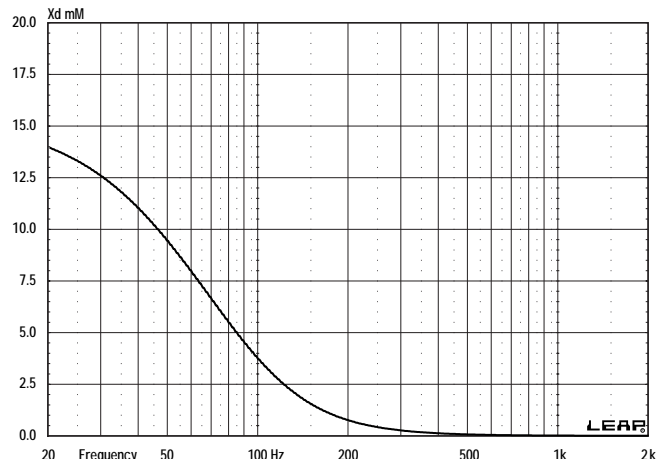
SEALED BOX VOLUME (INCLUDES DRIVER DISPLACEMENT)



SEALED FREQUENCY RESPONSE @ 2.83 V



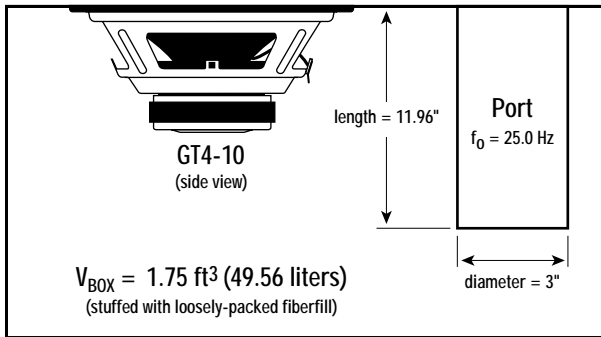
SEALED TRANSDUCER EXCURSION @ 250 W



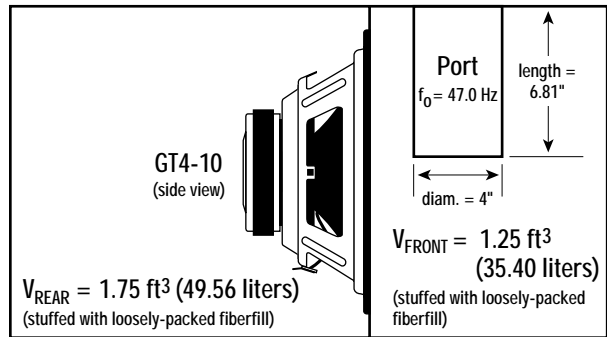


GT4-10 250mm Woofer – Technical Data

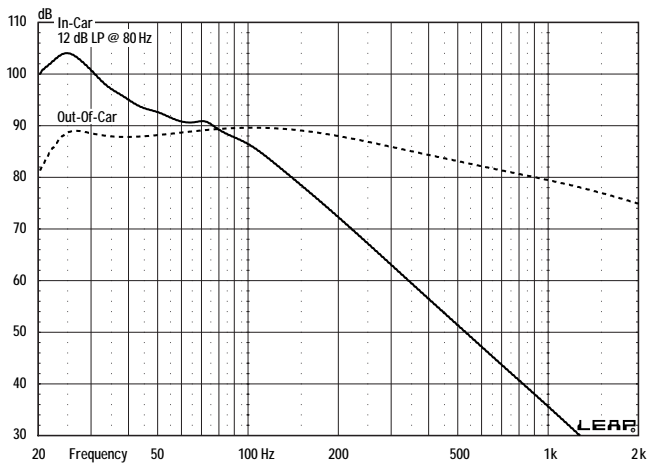
VENTED BOX VOLUME (INCLUDES DRIVER/PORT DISPLACEMENTS)



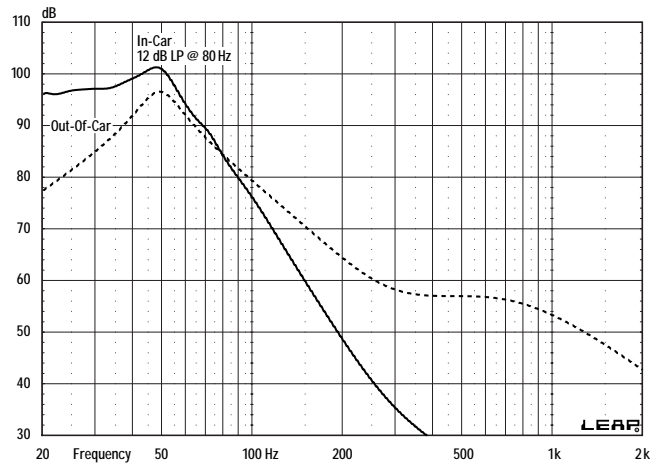
SEALED BANDPASS BOX VOLUME (INCLUDES DRIVER/PORT DISPLACEMENTS)



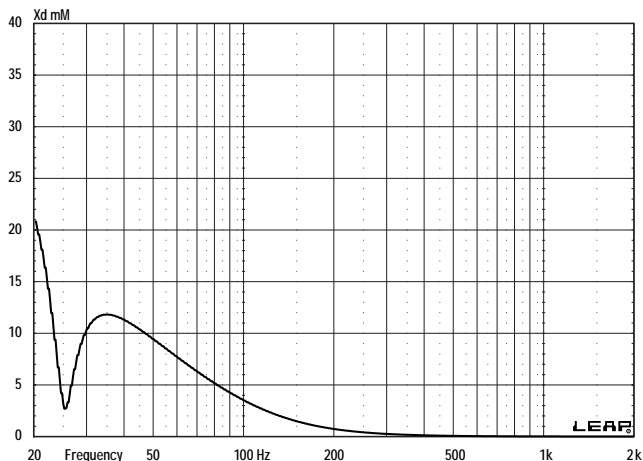
VENTED FREQUENCY RESPONSE @ 2.83 V



SEALED BANDPASS FREQUENCY RESPONSE @ 2.83 V



VENTED TRANSDUCER EXCURSION @ 250 W



SEALED BANDPASS TRANSDUCER EXCURSION @ 225 W

